



ISO 9002
APPROVED COMPANY
AUSTRALIA

DIN 24255 BACK PULL-OUT END SUCTION CENTRIFUGAL PUMPS



DESIGN FEATURES

The STREAM-PLUS range of pumps complies fully to the international standard DIN 24255. This standard covers both performance and dimensions.

This pump includes the back pull-out design, and when a suitable spacer coupling is fitted to a direct coupled unit, the casing and motor can remain in position while all other pump parts can be removed for simple and quick maintenance.

The volute casing is fitted with a replaceable wear ring and has a suction vane to give smooth flow into the double shrouded hydraulically balanced impeller.

Only four shaft assemblies are required to cover the total range, and this gives many common interchangeable parts for pumps fitted to the same shaft.

Standard pump is fitted with a packed stuffing box incorporating a lantern ring which includes internal flushing by the liquid being pumped, or can be converted to external flushing, and all of these pumps can be fitted with a mechanical seal.

Pumps can be supplied as a bare shaft unit, or in many other arrangements, including complete with coupling, guard, baseplate and either electric motor or engine.

MAXIMUM TEMPERATURE

With standard packed gland - minus 10°C to 105°C.
Maximum with cooled stuffing box -160°C.
With mechanical seal - maximum depends upon seal used.

MAXIMUM PRESSURE

Maximum operating pressure 1600kPa.
Maximum test pressure up to 2100kPa.

(Maximum pressures will vary depending on particular pump model - higher ratings available on application).

MAXIMUM SPEED

Maximum direct coupled speed for pumps varies between 3500 RPM and 1750 RPM, depending upon pump size, and method of drive.



APPLICATIONS

Air Conditioning
Heating and Ventilating
Refrigeration
Fire Protection
Plumbing
Food and Drink Manufacture
Circulating
Water Pressure Boosting

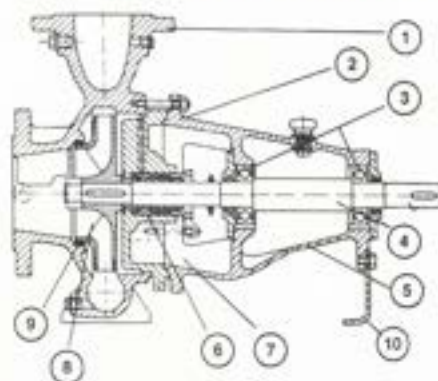
Transfer
Water Treatment and Supply
Irrigation
Drainage
Factory Plumbing
Process Industry
Petroleum Products
General Industry

MATERIAL OPTIONS

CODE	CASING	IMPELLER	SHAFT	SLEEVE	WEAR RING
10	Cast Iron	Bronze	Stainless Steel	Stainless Steel	Cast Iron
30	Cast Iron	Cast Iron	Stainless Steel	Stainless Steel	Cast Iron
* 40	Bronze	Bronze	Stainless Steel	Stainless Steel	Bronze
* 60	Stainless Steel	Stainless Steel	Stainless Steel	Stainless Steel	Stainless Steel

* Special Order

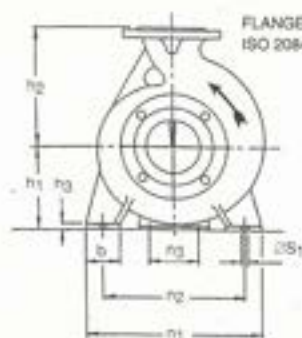
BS Series - Bare Shaft Pumps



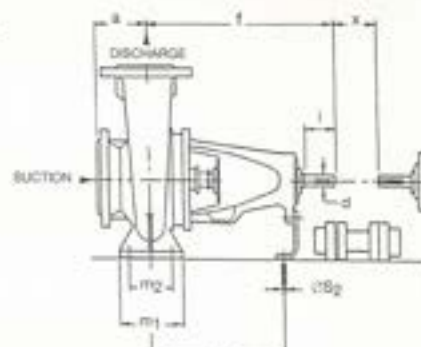
- Cast iron casing with integrally cast feet.
- Back-pullout facility permits removal of back cover, stuffing box and impeller without disturbance of suction and delivery pipework. Drive motor can also remain in place if a spacer coupling is fitted.
- Shaft carried in grease (oil in H bearing frame units) lubricated bearings.
- Just four shaft modules cover the entire range and all pumps common to one shaft module have identical bearings, shaft sleeves, seals and impeller fastenings.
- Cast iron bearing housing secured to cover plate and volute. Only four sizes cover the entire range.
- Shaft sealing by soft packed gland with replaceable stainless steel shaft sleeve. Alternatively, by mechanical seals.
- For liquid temperatures over 105°C and up to 160°C a gland cooling chamber can be formed by the addition of a cover plate.
- Double shrouded design of impeller with back balancing vanes or, on larger diameters, hydraulically balanced by incorporating replaceable wear rings and balance holes.
- Replaceable wear rings fitted to all volutes and also to back covers of larger pumps.
- Removable cast support foot at the drive end for greater rigidity.



DIMENSIONS



END ELEVATION



SIDE ELEVATION

FLANGES DRILLED TO ISO 2084 NP 16

PUMP SIZE	BEARING HOUSING	SUCTION	DISCHARGE	PUMP DIMENSIONS				FOOT DIMENSIONS											SHAFT END	COUPLING KEY	NET WEIGHT	
				a	f	h ₁	h ₂	b	r ₁	r ₂	r ₁	r ₂	r ₃	r ₄	r ₅	r ₆	OS ₁	OS ₂				w
32-13	25	50	32	80	360	112	140	50	100	70	190	140	100	14	14	14	267	140	24	50	8x7	28
32-16	25	50	32	80	360	132	160	50	100	70	240	190	100	14	14	14	267	140	24	50	8x7	36
32-20	25	50	32	80	360	160	180	50	100	70	240	190	110	14	14	14	267	140	24	50	8x7	43
32-26	25	50	32	100	360	180	225	65	125	95	320	250	110	14	14	14	267	140	24	50	8x7	63
40-13	25	65	40	80	360	112	140	50	100	70	210	160	100	14	14	14	267	140	24	50	8x7	31
40-16	25	65	40	80	360	132	160	50	100	70	240	190	100	14	14	14	267	140	24	50	8x7	37
40-20	25	65	40	100	360	160	180	50	100	70	265	212	110	14	14	14	267	140	24	50	8x7	48
40-26	25	65	40	100	360	180	225	65	125	95	320	250	110	14	14	14	267	140	24	50	8x7	63
40-32	35	65	40	125	470	200	250	67	125	95	350	280	110	14	14	14	342	140	32	80	10x8	96
40-32H	35H	65	40	125	470	200	250	67	125	95	350	280	110	14	14	14	342	140	32	80	10x8	96
50-13	25	65	50	100	360	132	160	50	100	70	240	190	100	14	14	14	267	140	24	50	8x7	34
50-16	25	65	50	100	360	160	180	50	100	70	265	212	110	14	14	14	267	140	24	50	8x7	38
50-20	25	65	50	100	360	160	200	50	100	70	265	212	110	14	14	14	267	140	24	50	8x7	48
50-26	25	65	50	100	360	180	225	65	125	95	320	250	110	14	14	14	267	140	24	50	8x7	65
50-32	35	65	50	128	470	225	280	65	125	95	350	280	110	16	14	14	342	140	32	80	10x8	101
50-32H	35H	65	50	128	470	225	280	65	125	95	350	280	110	16	14	14	342	140	32	80	10x8	101
65-13	25	80	65	100	360	160	180	65	125	95	280	212	110	14	14	14	267	140	24	50	8x7	40
65-16	25	80	65	100	360	160	200	65	125	95	280	212	110	14	14	14	267	140	24	50	8x7	44
65-20	25	80	65	100	360	180	225	65	125	95	320	250	110	14	14	14	267	140	24	50	8x7	54
65-26	35	80	65	100	470	200	250	80	160	120	360	280	110	16	18	14	342	140	32	80	10x8	83
65-32	35	80	65	125	470	225	280	80	160	120	400	315	110	16	18	14	342	140	32	80	10x8	110
65-32H	35H	80	65	125	470	225	280	80	160	120	400	315	110	16	18	14	342	140	32	80	10x8	110
80-16	25	100	80	125	360	180	225	65	125	95	320	250	110	14	14	14	267	140	24	50	8x7	55
80-20	35	100	80	125	470	180	250	65	125	95	345	280	110	14	14	14	342	140	32	80	10x8	72
80-26	35	100	80	125	470	200	280	80	160	120	400	315	110	16	18	14	342	140	32	80	10x8	92
80-32	35	100	80	125	470	250	315	80	160	120	400	315	110	16	18	14	342	140	32	80	10x8	120
80-32H	35H	100	80	125	470	250	315	80	160	120	400	315	110	16	18	14	342	140	32	80	10x8	120
80-40	45	100	80	125	530	280	355	80	160	120	400	355	110	18	18	14	370	140	42	110	12x8	162
100-20	35	125	100	125	470	200	280	80	160	120	360	280	110	16	18	14	342	140	32	80	10x8	87
100-26	35	125	100	140	470	225	280	80	160	120	400	315	110	16	18	14	342	140	32	80	10x8	110
100-32	35	125	100	140	470	250	315	80	160	120	400	315	110	16	18	14	342	140	32	80	10x8	134
100-40	45	125	100	140	530	280	355	100	200	150	500	400	110	18	23	14	370	140	42	110	12x8	177
125-26	35	150	125	140	470	250	355	80	130	120	400	315	110	16	18	14	342	140	32	80	10x8	115
125-32	45	150	125	140	530	280	355	100	200	150	500	400	110	18	23	14	370	140	42	110	12x8	163
125-40	45	150	125	140	530	315	400	100	200	150	500	400	110	18	23	14	370	140	42	110	12x8	190
150-32	45	200	150	160	530	280	400	100	200	150	550	450	110	18	23	14	370	140	42	110	12x8	175
150-40	45	200	150	160	530	315	400	100	200	150	550	450	110	18	23	14	370	140	42	110	12x8	210

Flange Data

Dimensions in mm



Flange Dimensions and drilling according to ISO 2084 - 16BAR (BS4504 - 1969 TABLE 16/11). *Holes - Equally spaced straddling pump centreline.

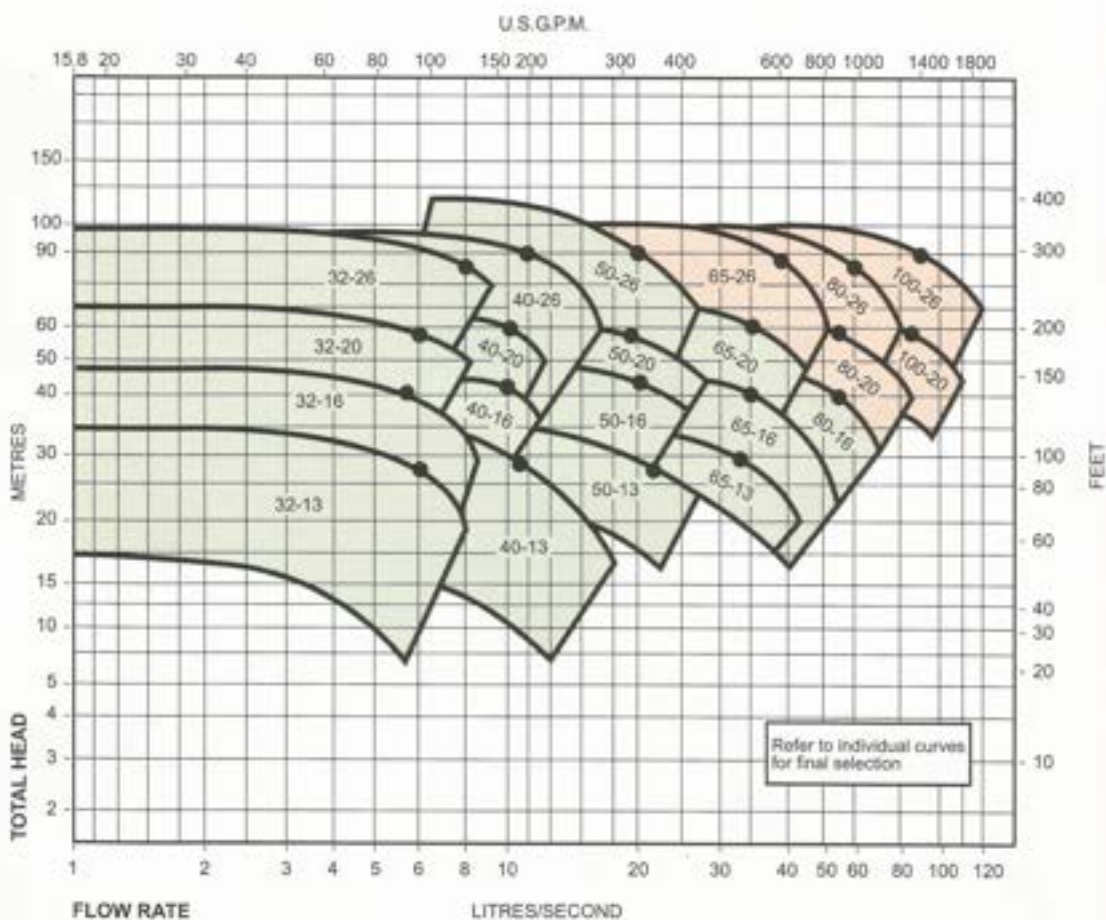
BRANCH SIZE	FLANGE		RAISED FACE		DRILLING*			BOLTING
	D	b	d ₁	f	No.	d ₂	k	
32	140	18	78	2	4	18	100	M16
40	150	18	88	3	4	18	110	M16
50	165	20	102	3	4	18	125	M16
65	185	20	122	3	4	18	145	M16
80	200	22	138	3	8	18	160	M16
100	220	24	158	3	8	18	180	M16
125	250	26	188	3	8	18	210	M16
150	285	26	212	3	8	22	240	M20
200	340	30	268	3	12	22	295	M20

Available from:



SELECTION CHART

3500 RPM



1750 RPM

